

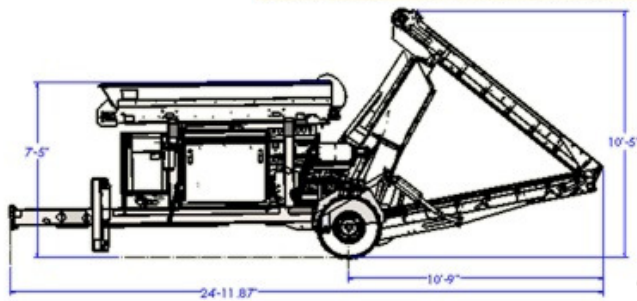
SERIES 50, MODEL 58B

Towable Screening Plant, including:

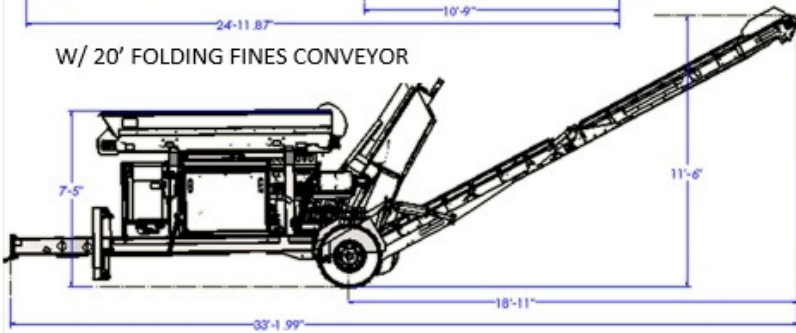
- * 23 HP, Water Cooled Diesel Engine
- * 104" long -1.0 Cubic Yard Hopper/Feeder;
- * 10 Ft. X 15 Inch Belt Type Overs Conveyor;
- * 17 Ft. X 20 Inch Belt Type Fines Conveyor;
- * Three Point Hydraulic Leveling;
- * 2 5/16" Ball Hitch

OPTIONS AVAILABLE:

- Folding Fines Conveyor
- Brush Package.
- Hopper Rock Liner
- Hopper Extension
- End Gate Cut Off
- Fines Conveyor Rock Seal
- Remote Functions On/Off
- Pintle Hitch



W/ 20' FOLDING FINES CONVEYOR



W/ STANDARD 17' FINES CONVEYOR

